



MOVIE SCREEN™ INSTRUCTION SHEET

E

IMPORTANT SAFETY INSTRUCTIONS

When Using Electrical Products, Basic Precautions Should Always Be Followed Including The Following:

READ AND FOLLOW ALL SAFETY INSTRUCTIONS.

1. Do not use products outdoors unless marked suitable for indoor and outdoor use. When products are used in outdoor applications, connect the product to a Ground Fault Circuit Interrupting (GFCI) outlet. If one is not provided, contact a qualified electrician for proper installation.
2. This product is not intended for permanent installation or use.
3. Do not mount or place near gas or electric heaters, fireplaces, candles, or other similar sources of heat.
4. Do not secure product wiring with staples or nails or place on sharp hooks or nails.
5. Unplug the product when leaving the house, when retiring for the night, or if left unattended.
6. This is an electrical product – not a toy! To avoid risk of fire, burns, personal injury, and electric shock, it should not be played with or placed where small children can reach it.
7. Do not use this product for other than its intended purpose.
8. Do not hang ornaments or other objects from cord, wire.
9. Do not close doors or windows on the product, or extension cords, as this may damage the wire insulation.
10. Do not cover the product with a cloth, paper, or any material not part of the product when in use.
11. This product has a polarized plug (one blade is wider than the other) as a feature to reduce the risk of electric shock. This plug will fit in a polarized outlet only one way. If the plug does not fit fully in the outlet, reverse the plug. If the plug still does not fit, contact a qualified electrician. Do not use an extension cord unless the plug can be fully inserted. Do not alter or replace the plug.
12. This product employs overload protection (fuse). A blown fuse indicates an overload or a short-circuit condition. If the fuse blows, unplug the product from the outlet. Replace the fuse as per the user servicing instructions (follow product markings for proper fuse rating) and check the product. If replacement fuse blows, a short-circuit may be present and the product should be discarded.
13. Before using and reusing, inspect the product carefully. Discard any products that have cut, damaged or frayed wire insulation cords, cracks, lamp holders or enclosures, loose connections, or exposed copper wire.
14. Read and follow all instructions that are on the product or provided with the product.

SAVE THESE INSTRUCTIONS USE AND CARE INSTRUCTIONS

1. Before using and reusing, inspect the product carefully. Discard any products that have cut, damaged or frayed wire insulation cords, cracks, enclosures, loose connection, or exposed copper wire.
2. When storing the product, carefully remove the product from wherever it is placed, including trees, branches, or bushes, to avoid any undue strain or stress on the product conductors, connections and wires.
3. When not in use, store neatly in a cool, dry location protected from sunlight.

WARNING: Protect the electric fan and power cord from direct exposure to water. This precaution will reduce the risk of electrical shock. When the temperature is below 14°F (-10°C), the motor may temporarily stop running. The motor will begin functioning again in higher temperatures.

WARNING: Remove all plastic fasteners and tags. These are part of the packaging and should be discarded.

WARNING: This product is to be assembled by adults only.

CAUTION: Do not attempt to inflate your Airblown® Inflatable Movie Screen™ during unusually strong winds. If it becomes too windy for safe operation, simply allow your Airblown® Inflatable Movie Screen™ to deflate and wait for better conditions before re-inflating.

Congratulations! You're the proud owner of a Gemmy Airblown® Inflatable Movie Screen™. Please read over the directions carefully before using your Gemmy Airblown® Inflatable Movie Screen™.

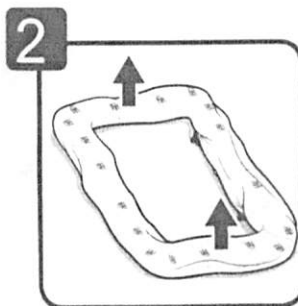
CONTENTS:

Airblown® Inflatable Frame	1 pc
Movie Screen™	1 pc
Tether Stakes	8 pcs
Base Stakes	8 pcs
Nylon Tethers (4 Long, 4 Short)	8 pcs
Spare Fuse (5Amp, 125V)	1 pc
Storage Bag	1 pc

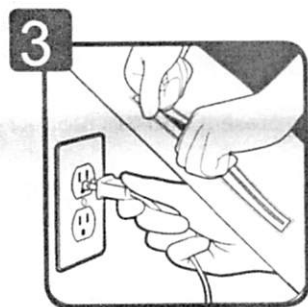
GENERAL INSTRUCTIONS



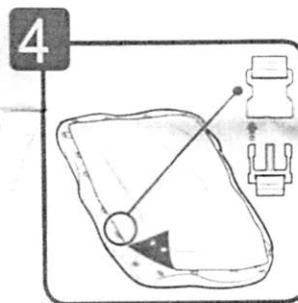
Remove contents from packaging and lay out deflated Airblown® Inflatable Movie Screen™ in a clear, flat area free of low overhangs, such as trees, eaves or anything else that could puncture or damage your Airblown® Inflatable.



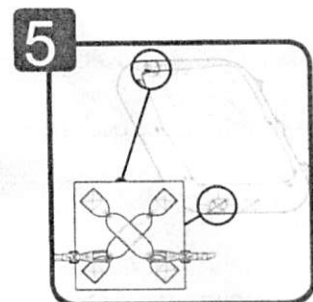
Ensure that your Airblown® Inflatable Frame is lying so that the side with the plastic clips is facing up.



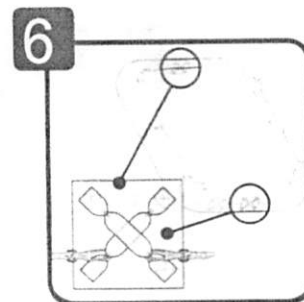
While item is still lying flat, please make sure the wire inside of Movie Screen™ are connected, plug cord into receptacle or other outlet device to inflate your Airblown® Inflatable Movie Screen™. This process may take a few minutes. Make sure the air intake is clear of fabric or other obstruction and zipper is fully closed.



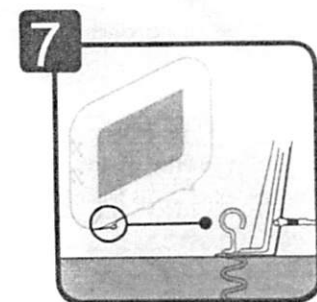
Attach Movie Screen™ to frame by connecting the clips along the edges and corners of the Movie Screen™. Locate the four legs on the bottom of the frame and unfold them completely.



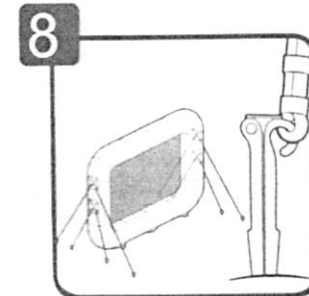
Attach 2 long nylon tethers to the upper "X"-shaped nylon strap on each side of the Airblown® Inflatable Movie Screen™.



Attach 2 short nylon tethers to the lower "X"-shaped nylon strap on each side of the Airblown® Inflatable Movie Screen™.



Stand the Airblown® Inflatable Movie Screen™ upright, ensuring that fans are located on the bottom. Locate the 8 Base Stakes and screw them into the ground through the provided holes in each leg of the stands.



Insert the 8 tether stakes into ground and attach clips from nylon tethers to tether stakes, as shown.