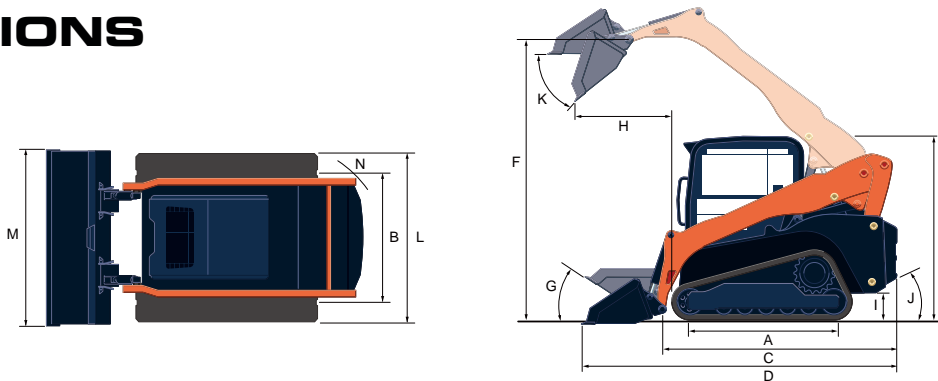


# SPECIFICATIONS

Model		SVL75-2		SVL95-2s			
Type of operator station		Open CAB / Closed CAB		Open CAB / Closed CAB			
Engine	Model	V3307-CR-TE4		V3800-TIEF4			
	Emission certification	Tier 4		Tier 4			
	Gross HP (SAE J1995)	HP (kW)/rpm	74.3 (55.4)/2400		96.4 (71.9)/2400		
	Net HP (SAE J1349)	HP (kW)/rpm	68.8 (51.3)/2400		87.0 (64.9)/2400		
	Displacement	cu.in. (cc)	203.3 (3331)		230.0 (3769)		
	Cylinders		4		4		
	Bore × Stroke	in.(mm)	3.7 (94) × 4.72 (120)		3.94 (100) × 4.72 (120)		
Aspiration		Turbocharged		Turbocharged			
Loader Performance	Rated operating capacity-35% tipping load		lbs. (kg)	2300 (1043)		3200 (1451)	
	Tipping load		lbs. (kg)	6570 (2980)		9143 (4147)	
	Breakout force	Bucket	lbf. (kg)	6204 (2814)		7961 (3611)	
		Lift arm	lbf. (kg)	4766 (2162)		6742 (3058)	
	Lift arm path			Vertical		Vertical	
Undercarriage	Track Width	Standard	in. (mm)	12.6 (320)		17.7 (450)	
		Wide	in. (mm)	15.0 (380)		N/A	
	Ground pressure	Standard	psi	5.6 / 5.8		4.4 / 4.5	
		Wide	psi	4.7 / 4.9		N/A	
	Track rollers (per side)			4		5	
	Track ground contact length		in. (mm)	56.5 (1436)		65.6 (1667)	
	Travel speed	Low	mph (km/h)	4.7 (7.5)		5.0 (8.0)	
		High	mph (km/h)	7.1 (11.5)		7.3 (11.7)	
Traction force		lbs. (kg)	9678 (4390)		12178 (5524)		
Min. ground clearance		in. (mm)	11.7 (296)		11.5 (293)		
Hydraulic system	Aux. hydraulic flow	Std./High	gpm (ℓ/min.)	17.4 (66.0) / 29.3 (110.9)		23.1 (87.6) / 40.0 (152)	
	Aux. hydraulic pressure		psi (kgf/cm²)	3185 (224.0)		3553 (249.8)	
Service refill capacities	Hydraulic system		gal. (ℓ)	15.9 (60)		17.96 (68)	
	Hydraulic tank		gal. (ℓ)	9.2 (35)		10.1 (38.1)	
	Fuel tank		gal. (ℓ)	24.6 (93)		28.8 (109)	
	DEF tank		gal. (ℓ)	N/A		5.0 (18.8)	
Operating weight (Includes operator weight 165lbs.)		lbs. (kg)	9039 (4100) / 9315 (4225)		11299 (5125) / 11574 (5250)		

# DIMENSIONS



Model		SVL75-2		SVL95-2s			
A	Length of track on ground	in. (mm)	56.5 (1436)		65.6 (1667)		
B	Track gauge	in. (mm)	53.3 (1355)		59.5 (1512)		
C	Length w/o bucket	in. (mm)	109 (2768)		123.5 (3137)		
D	Length w/bucket on ground	in. (mm)	140.8 (3576)		154.6 (3929)		
E	Height to top of cab	in. (mm)	82 (2083)		83.3 (2116)		
F	Bucket hinge pin height at max. lift	in. (mm)	119.1 (3025)		128.5 (3264)		
G	Rollback angle at carry position	degree	27		27		
H	Reach at max. lift and dump	in. (mm)	41.7 (1060)		40.7 (1035)		
I	Ground clearance	in. (mm)	11.7 (296)		11.5 (293)		
J	Departure angle	degree	31.5		31		
K	Max. dump angle	degree	40		43		
L	Vehicle width	Standard track / Wide track	in. (mm)	65.9 (1675) / 68.3 (1735)		77.2 (1962)	
M	Width with bucket		in. (mm)	68 (1727)		80 (2032)	
N	Turning radius from center-machine rear		in. (mm)	107.1 (2720)		127 (3220)	