

SPECIFICATIONS (PUMP)

Table 1. Specifications (Pump)		
Pump	Model	QP3TH
	Type	Trash Pump
	Suction	3.0 in. (76 mm.)
	Discharge Size	3.0 in. (76 mm.)
	Maximum Pumping Capacity	396 gallons/minute (1,500 liters/minute)
	Max. Solids Diameter	1.50 in. (38 mm)
	Maximum Suction Lift	25 ft. (7.6 m)
	Max. Head	95 ft. (29.0 m)
	Max. Pressure	41 psi (283 kPa)
Dry Net Weight		142 lbs. (64.5 Kg.)

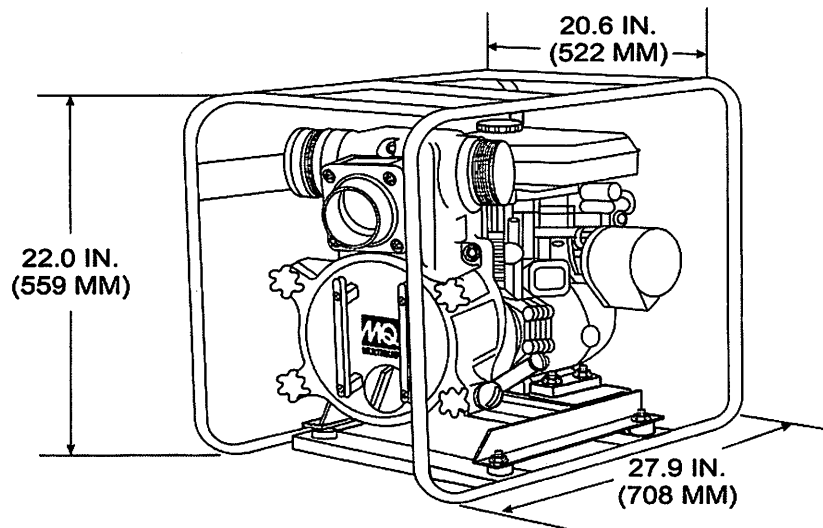


Figure 1. QP3TH Dimensions